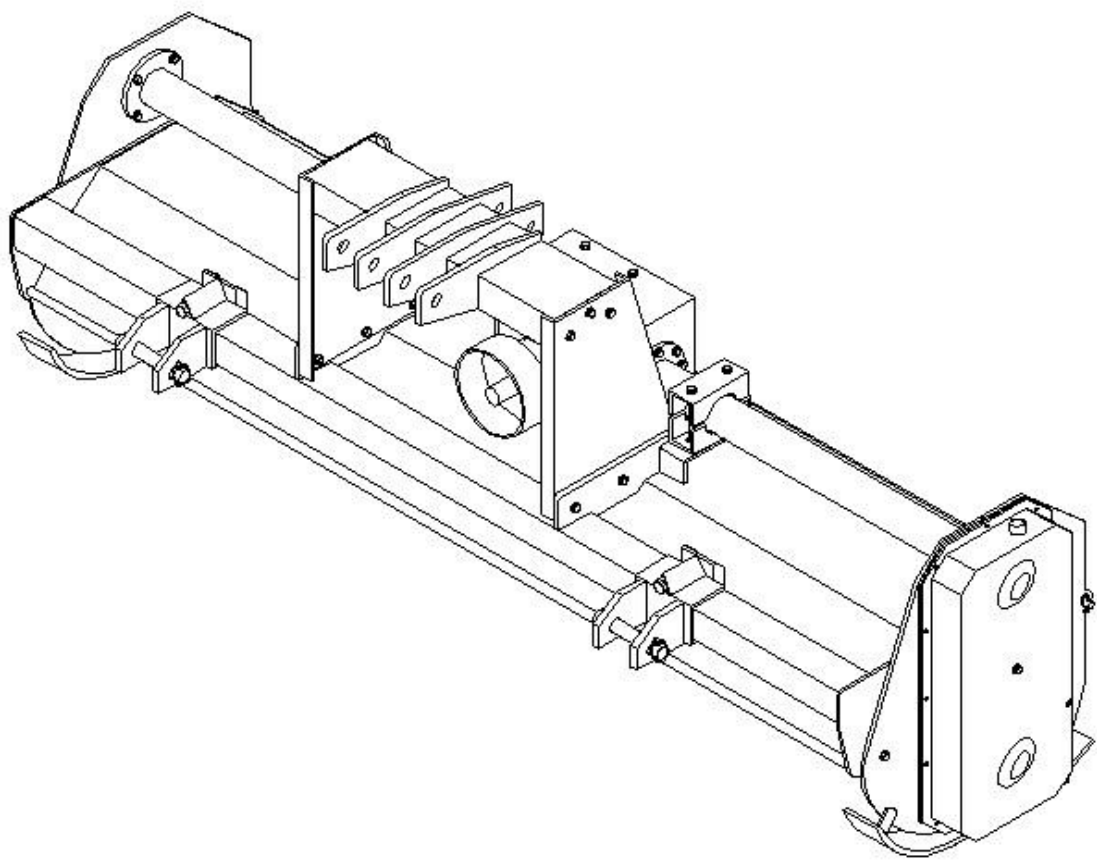


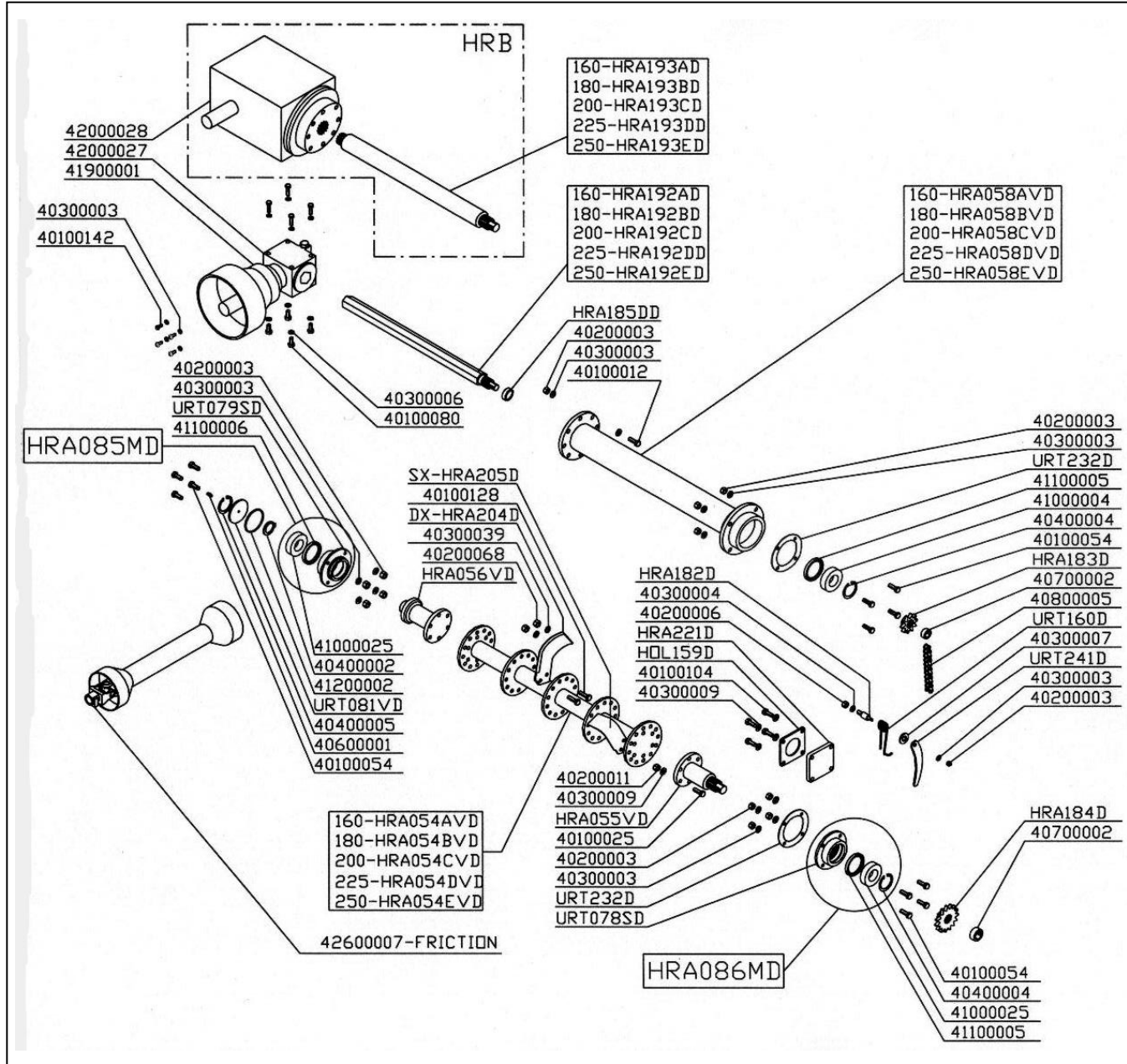


Del Morino srl , v.Caroni di Sotto 19,  
I-52033 Caprese Michelangelo AR Italy  
Ph: +39-575-791059 Fax: +39-575-791210  
E.mail: export@del-morino.it  
<http://www.del-morino.it>

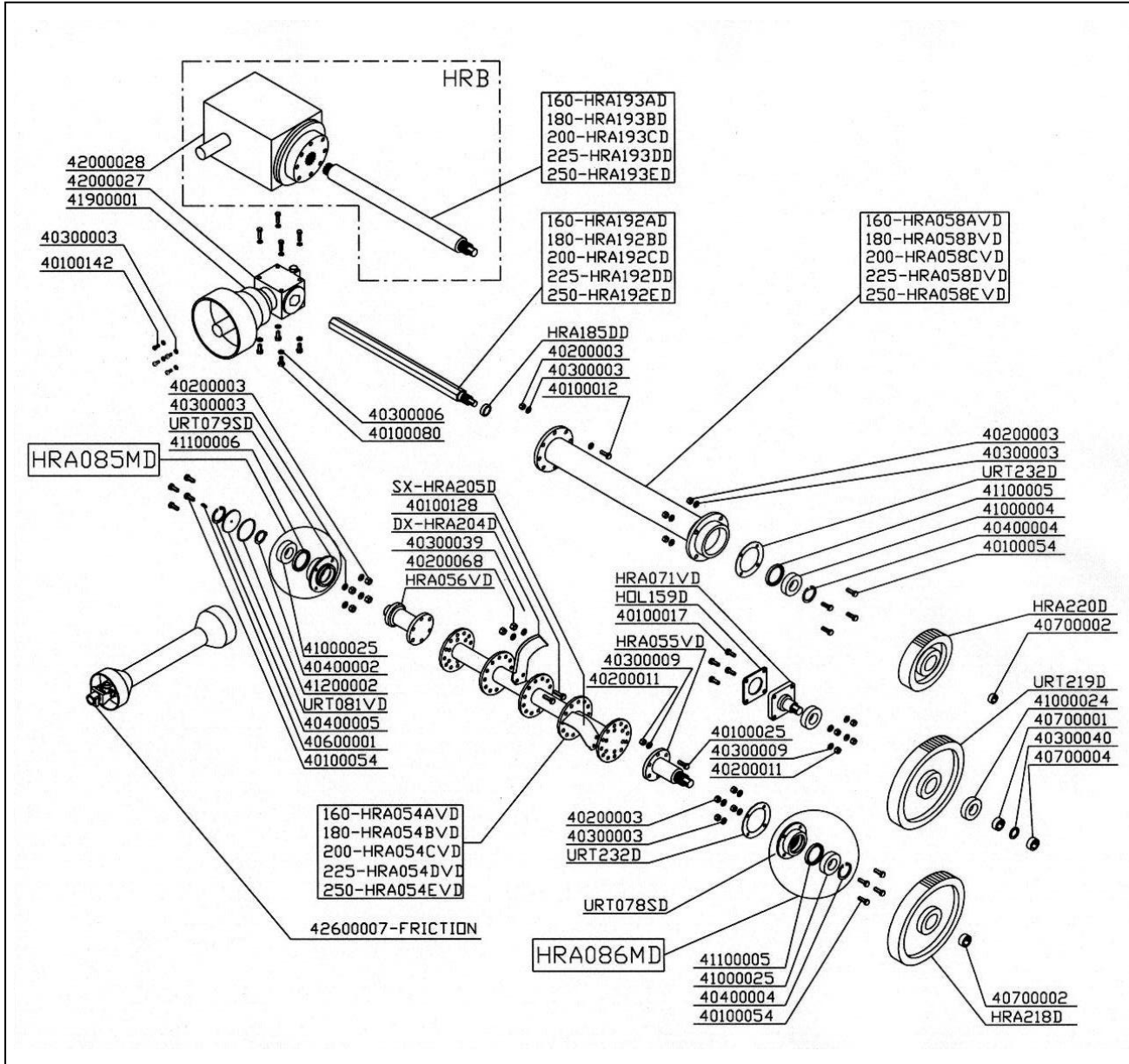
**Instruktionsbok**

**DELMORINO JORDFRÄS "HRA - HRB"**





MECHANISMS OF HRA/HRB CHAIN TRANSMISSION



MECHANISMS OF HRA/HRB GEARS TRANSMISSION

